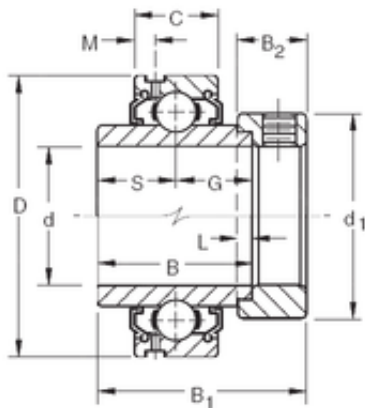




AMERICAN BEARING MFG.CORP.

57,15 mm x 110 mm x 61,91 mm Timken
G1204KLL deep groove ball bearings



Bearing No. G1204KLL

Size	57.15x110x61.91 mm
Bore Diameter	57,15 mm
Outer Diameter	110 mm
Width	61,91 mm
d	57,15 mm
D	110 mm
B	61,91 mm
C	27 mm
d1	84,1 mm
B1	77,8 mm
B2	22,2 mm
G	31 mm
L	6,4 mm
M	5,13 mm
S	31 mm
Weight	2,03 Kg
Basic dynamic load rating (C)	58,5 kN

G1204KLL Bearing 2D drawings and 3D CAD models