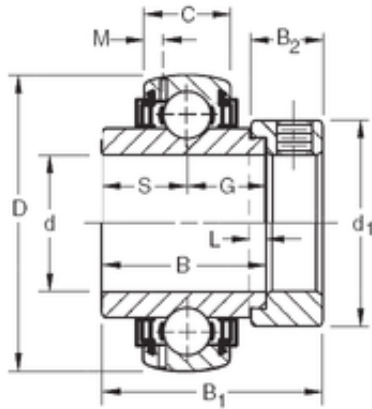




AMERICAN BEARING MFG.CORP.

31.75 mm x 80 mm x 38,1 mm Timken
GN104KLLB deep groove ball bearings



Bearing No. GN104KLLB

Size	31.75x80x38.1 mm
Bore Diameter	31.75 mm
Outer Diameter	80 mm
Width	38,1 mm
d	31.75 mm
D	80 mm
B	38,1 mm
C	22 mm
d1	55,6 mm
B1	51,59 mm
B2	17,46 mm
G	19,84 mm
L	3,9 mm
M	3,96 mm
S	18,3 mm
Weight	0,649 Kg
Basic dynamic load rating (C)	40,5 kN

GN104KLLB Bearing 2D drawings and 3D CAD models