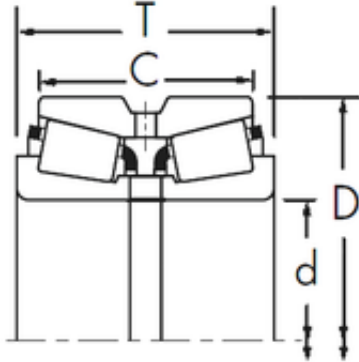




AMERICAN BEARING MFG.CORP.

Timken 28156/28318D tapered roller bearings



Bearing No. 28156/28318D

Size	39.98x80.035x43.459 mm
Bore Diameter	39,98 mm
Outer Diameter	80,035 mm
Width	43,459 mm
d	39,98 mm
D	80,035 mm
T	43,459 mm
C	34,925 mm
R	2,3 mm
r	0,8 mm

28156/28318D Bearing 2D drawings and 3D CAD models