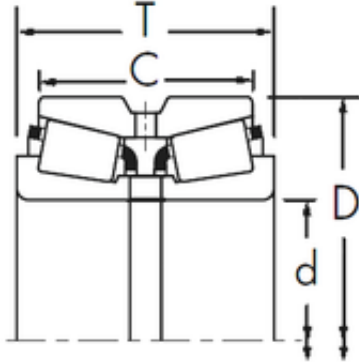




AMERICAN BEARING MFG.CORP.

Timken 93708/93127CD+X1S-93708 tapered roller bearings

Bearing No. 93708/93127CD+X1S-93708



93708/93127CD+X1S-93708 Bearing 2D drawings and 3D CAD models

Size	179.975x317.5x146.05 mm
Bore Diameter	179,975 mm
Outer Diameter	317,5 mm
Width	146,05 mm
d	179,975 mm
D	317,5 mm
T	146,05 mm
C	111,125 mm
R	3,5 mm
r	1,5 mm