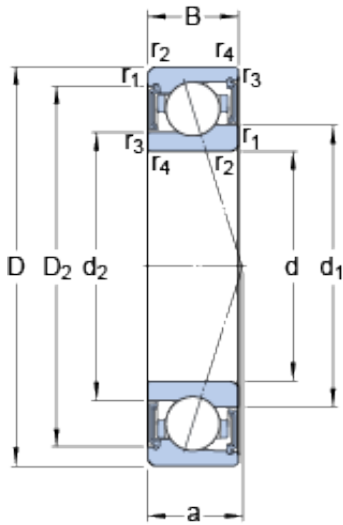




AMERICAN BEARING MFG.CORP.

95 mm x 130 mm x 18 mm SKF S71919 CE/P4A
angular contact ball bearings

Bearing No. S71919 CE/P4A



S71919 CE/P4A Bearing 2D drawings and 3D CAD models

Size	130x95x18 mm
Bore Diameter	130 mm
Outer Diameter	95 mm
Width	18 mm
d	95 mm
D	130 mm
B	18 mm
d ₁	106 mm
d ₂	102.9 mm
D ₂	122.6 mm
r _{1,2} - min.	1.1 mm
r _{3,4} - min.	0.6 mm
a	25 mm
d _a - min.	101 mm
d _a - max.	105.4 mm
d _b - min.	98.2 mm
d _b - max.	102.3 mm
D _a - max.	124 mm
D _b - max.	126.8 mm
r _a - max.	1 mm
r _b - max.	0.6 mm
Basic dynamic load rating - C	30.7 kN
Basic static load rating - C ₀	25.5 kN
Fatigue load limit - P _u	0.98 kN



AMERICAN BEARING MFG.CORP.

Limiting speed for grease lubrication	14000 r/min
Ball - D_w	11.112 mm
Ball - z	25
Calculation factor - f_0	8.6
Preload class A - G_A	166 N
Preload class B - G_B	500 N
Preload class C - G_C	995 N
Calculation factor - f	1.18
Calculation factor - f	1
Calculation factor - f_{2A}	1
Calculation factor - f_{2B}	1.04
Calculation factor - f_{2C}	1.08
Calculation factor - f_{HC}	1
Preload class A	68 N/micron
Preload class B	107 N/micron
Preload class C	147 N/micron
d_1	106 mm
d_2	102.9 mm
D_2	122.6 mm
$r_{1,2}$ min.	1.1 mm
$r_{3,4}$ min.	0.6 mm
d_a min.	101 mm
d_a max.	105.4 mm
d_b min.	98.2 mm
d_b max.	102.3 mm
D_a max.	124 mm
D_b max.	126.8 mm
r_a max.	1 mm
r_b max.	0.6 mm
Basic dynamic load rating C	30.7 kN



AMERICAN BEARING MFG.CORP.

Basic static load rating C_0	25.5 kN
Fatigue load limit P_u	0.98 kN
Attainable speed for grease lubrication	14000 r/min
Ball diameter D_w	11.112 mm
Number of balls z	25
Preload class A G_A	166 N
Static axial stiffness, preload class A	68 N/ μ m
Preload class B G_B	500 N
Static axial stiffness, preload class B	107 N/ μ m
Preload class C G_C	995 N
Static axial stiffness, preload class C	147 N/ μ m
Calculation factor f	1.18
Calculation factor f_1	1
Calculation factor f_{2A}	1
Calculation factor f_{2B}	1.04
Calculation factor f_{2C}	1.08
Calculation factor f_{HC}	1
Calculation factor f_0	8.6
Mass bearing	0.57 kg