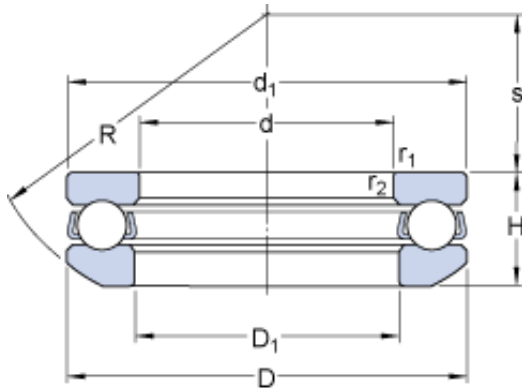




AMERICAN BEARING MFG.CORP.



SKF 53206 + U 206 thrust ball bearings

Bearing No. 53206 + U 206

Size	52x30x17.8 mm
Bore Diameter	52 mm
Outer Diameter	30 mm
Width	17,8 mm
d	30 mm
D	52 mm
H	17.8 mm
H ₁	20 mm
d ₁	52 mm
D ₁	32 mm
D ₂	42 mm
D ₃	55 mm
C	5.5 mm
R	45 mm
s	22 mm
r _{1,2} - min.	0.6 mm
d _a - min.	43 mm
D _a - max.	42 mm
r _a - max.	0.6 mm
Basic dynamic load rating - C	25.1 kN
Basic static load rating - C ₀	51 kN
Fatigue load limit - P _u	1.9 kN
Reference speed	4500 r/min
Limiting speed	6300 r/min

53206 + U 206 Bearing 2D drawings and 3D CAD models



AMERICAN BEARING MFG.CORP.

Minimum load factor - A	0.013
H ₁	20 mm
d ₁	52 mm
D ₁	32 mm
D ₂	42 mm
D ₃	55 mm
r _{1,2} min.	0.6 mm
d _a min.	43 mm
D _a max.	42 mm
r _a max.	0.6 mm
Basic dynamic load rating C	25.1 kN
Basic static load rating C ₀	51 kN
Fatigue load limit P _u	1.86 kN
Minimum load factor A	0.013
Mass bearing (including seat washer where applicable)	0.18 kg