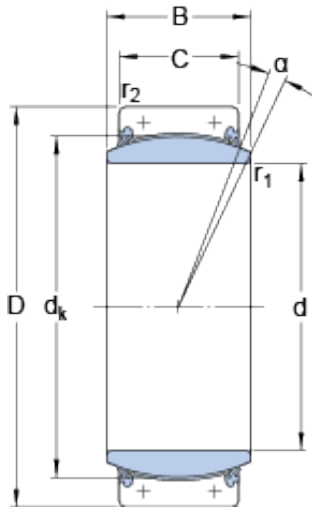




# AMERICAN BEARING MFG.CORP.



600 mm x 800 mm x 272 mm SKF GEC 600  
TXA-2RS plain bearings

Bearing No. GEC 600 TXA-2RS

GEC 600 TXA-2RS Bearing 2D drawings and 3D CAD models

Size	800x600x272 mm
Bore Diameter	800 mm
Outer Diameter	600 mm
Width	272 mm
d	600 mm
D	800 mm
B	272 mm
C	230 mm
	3 °
d <sub>k</sub>	655 mm
r <sub>1</sub> - min.	2 mm
r <sub>2</sub> - min.	5 mm
d <sub>a</sub> - min.	627 mm
d <sub>a</sub> - max.	644 mm
D <sub>a</sub> - min.	692 mm
D <sub>a</sub> - max.	760 mm
r <sub>a</sub> - max.	2 mm
r <sub>b</sub> - max.	5 mm
Basic dynamic load rating - C	43000 kN
Basic static load rating - C <sub>0</sub>	72000 kN
Specific factor dynamic load - K	300 N/mm <sup>2</sup>
Specific factor static load - K <sub>0</sub>	500 N/mm <sup>2</sup>
Lubricant	Maintenance free – dry



## AMERICAN BEARING MFG.CORP.

	Lubrication
Design (sliding contact surface combination)	Steel/PTFE fabric
Sealing solution	Double-lip seals
	3 °
$d_k$	700 mm
$r_1$ min.	2 mm
$r_2$ min.	5 mm
$d_a$ min.	627 mm
$d_a$ max.	644 mm
$D_a$ min.	692 mm
$D_a$ max.	760 mm
$r_a$ max.	2 mm
$r_b$ max.	5 mm
Basic dynamic load rating C	43000 kN
Basic static load rating $C_0$	72000 kN
Specific dynamic load factor K	300 N/mm <sup>2</sup>
Specific static load factor $K_0$	500 N/mm <sup>2</sup>
Mass plain bearing	405 kg