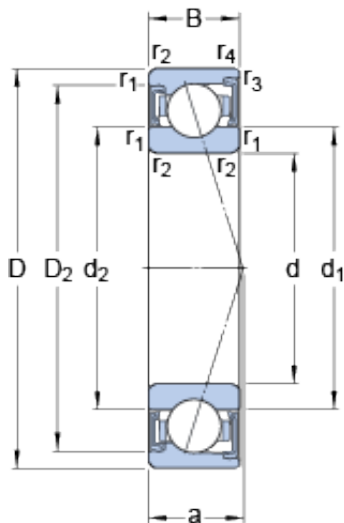




AMERICAN BEARING MFG.CORP.

105 mm x 145 mm x 20 mm SKF S71921 ACD/HCP4A angular contact ball bearings

Bearing No. S71921 ACD/HCP4A



S71921 ACD/HCP4A Bearing 2D drawings and 3D CAD models

Size	145x105x20 mm
Bore Diameter	145 mm
Outer Diameter	105 mm
Width	20 mm
d	105 mm
D	145 mm
B	20 mm
d ₁	117.3 mm
d ₂	117.3 mm
D ₂	135.65 mm
r _{1,2} - min.	1.1 mm
r _{3,4} - min.	0.6 mm
a	39.3 mm
d _a - min.	111 mm
d _a - max.	116.7 mm
d _b - min.	111 mm
d _b - max.	116.7 mm
D _a - max.	139 mm
D _b - max.	141 mm
r _a - max.	1 mm
r _b - max.	0.6 mm
Basic dynamic load rating - C	57.2 kN
Basic static load rating - C ₀	65.5 kN
Fatigue load limit - P _u	2.5 kN



AMERICAN BEARING MFG.CORP.

Limiting speed for grease lubrication	9000 r/min
Ball - D_w	12.7 mm
Ball - z	27
Calculation factor - e	0.68
Calculation factor - Y_2	0.87
Calculation factor - Y_0	0.38
Calculation factor - X_2	0.41
Calculation factor - Y_1	0.92
Calculation factor - Y_2	1.41
Calculation factor - Y_0	0.76
Calculation factor - X_2	0.67
Preload class A - G_A	360 N
Preload class B - G_B	720 N
Preload class C - G_C	1440 N
Preload class D - G_D	2880 N
Calculation factor - f	1.25
Calculation factor - f_1	0.98
Calculation factor - f_{2A}	1
Calculation factor - f_{2B}	1.07
Calculation factor - f_{2C}	1.12
Calculation factor - f_{2D}	1.17
Calculation factor - f_{HC}	1.04
Preload class A	292 N/micron
Preload class B	384 N/micron
Preload class C	514 N/micron
Preload class D	703 N/micron
d_1	117.3 mm
d_2	117.3 mm
D_2	135.65 mm



AMERICAN BEARING MFG.CORP.

$r_{1,2}$ min.	1.1 mm
$r_{3,4}$ min.	0.6 mm
d_a min.	111 mm
d_a max.	116.7 mm
d_b min.	111 mm
d_b max.	116.7 mm
D_a max.	139 mm
D_b max.	141 mm
r_a max.	1 mm
r_b max.	0.6 mm
Basic dynamic load rating C	57.2 kN
Basic static load rating C_0	65.5 kN
Fatigue load limit P_u	2.5 kN
Attainable speed for grease lubrication	9000 r/min
Ball diameter D_w	12.7 mm
Number of balls z	27
Preload class A G_A	360 N
Static axial stiffness, preload class A	292 N/ μ m
Preload class B G_B	720 N
Static axial stiffness, preload class B	384 N/ μ m
Preload class C G_C	1440 N
Static axial stiffness, preload class C	514 N/ μ m
Preload class D G_D	2880 N
Static axial stiffness, preload class D	703 N/ μ m
Calculation factor f	1.25
Calculation factor f_1	0.98
Calculation factor f_{2A}	1
Calculation factor f_{2B}	1.07
Calculation factor f_{2C}	1.12



AMERICAN BEARING MFG.CORP.

Calculation factor f_{2D}	1.17
Calculation factor f_{HC}	1.04
Calculation factor e	0.68
Calculation factor (single, tandem) Y_2	0.87
Calculation factor (single, tandem) Y_0	0.38
Calculation factor (single, tandem) X_2	0.41
Calculation factor (back-to-back, face-to-face) Y_1	0.92
Calculation factor (back-to-back, face-to-face) Y_2	1.41
Calculation factor (back-to-back, face-to-face) Y_0	0.76
Calculation factor (back-to-back, face-to-face) X_2	0.67
Mass bearing	0.71 kg