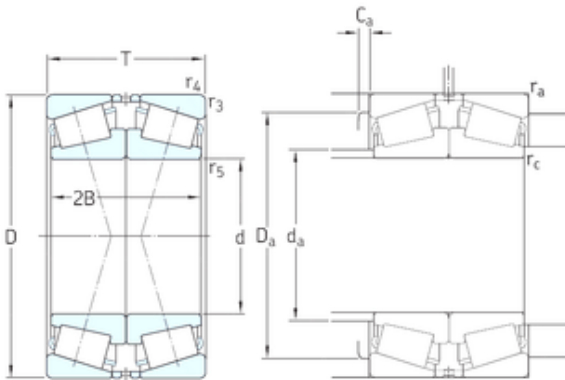




AMERICAN BEARING MFG.CORP.

105 mm x 160 mm x 35 mm SKF 32021X/QDF tapered roller bearings

Bearing No. 32021X/QDF



32021X/QDF Bearing 2D drawings and 3D CAD models

Size	105x160x70 mm
Bore Diameter	105 mm
Outer Diameter	160 mm
Width	70 mm
d	105 mm
D	160 mm
T	70 mm
B	35 mm
r3 min.	2 mm
r4 min.	2 mm
r5 min.	0,6 mm
2B	70 mm
Ca max.	6 mm
da max	116 mm
Da min	143 mm
Da max.	150 mm
ra max.	2 mm
rc max.	0,6 mm
Weight	5 Kg
Basic dynamic load rating (C)	347 kN
Basic static load rating (C0)	670 kN
Fatigue load limit (Pu)	73,5
Reference speed	2200 r/min
Limiting speed	3800 r/min
Calculation factor (e)	0,44



AMERICAN BEARING MFG.CORP.

Calculation factor (Y0)	1,6
Calculation factor (Y1)	1,5