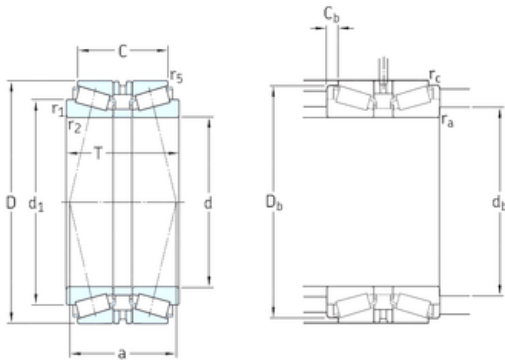




AMERICAN BEARING MFG.CORP.

SKF 31330T179XJ2/DB tapered roller bearings

Bearing No. 31330T179XJ2/DB



31330T179XJ2/DB Bearing 2D drawings and 3D CAD models

Size	150x320x179 mm
Bore Diameter	150 mm
Outer Diameter	320 mm
Width	179 mm
d	150 mm
D	320 mm
T	179 mm
C	115 mm
a	207 mm
d1	234 mm
r1 min.	5 mm
r2 min.	5 mm
r5 min.	1,5 mm
Cb min.	32 mm
db min	170 mm
Db min.	300 mm
ra max.	4 mm
rc max.	1,5 mm
Weight	58,5 Kg
Basic dynamic load rating (C)	1340 kN
Basic static load rating (C0)	2040 kN
Fatigue load limit (Pu)	200
Reference speed	1100 r/min
Limiting speed	2000 r/min
Calculation factor (e)	0,83
Calculation factor (Y0)	0,9



AMERICAN BEARING MFG.CORP.

Calculation factor (Y1)	0,81
-------------------------	------