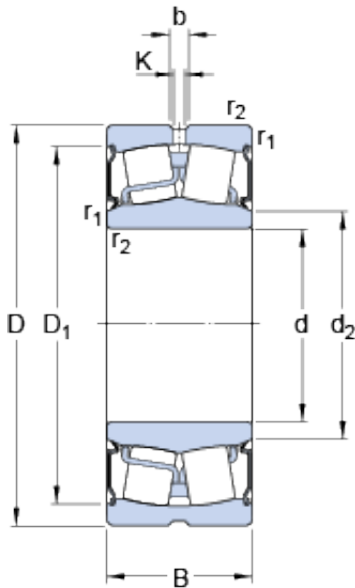




AMERICAN BEARING MFG.CORP.

55 mm x 120 mm x 49 mm SKF BS2-2311-2RS/VT143 spherical roller bearings

Bearing No. BS2-2311-2RS/VT143



BS2-2311-2RS/VT143 Bearing 2D drawings and 3D CAD models

Size	120x55x49 mm
Bore Diameter	120 mm
Outer Diameter	55 mm
Width	49 mm
d	55 mm
D	120 mm
B	49 mm
d ₂	67.5 mm
D ₁	107 mm
b	6 mm
K	3 mm
r _{1,2} - min.	2 mm
d _a - min.	66 mm
d _a - max.	67.5 mm
D _a - max.	109 mm
r _a - max.	2 mm
Basic dynamic load rating - C	280 kN
Basic static load rating - C ₀	280 kN
Fatigue load limit - P _u	30 kN
Limiting speed	2800 r/min
Calculation factor - e	0.35
Calculation factor - Y ₁	1.9
Calculation factor - Y ₂	2.9
Calculation factor - Y ₀	1.8



AMERICAN BEARING MFG.CORP.

d_2	67.5 mm
D_1	107 mm
$r_{1,2}$ min.	2 mm
d_a min.	66 mm
d_a max.	67.5 mm
D_a max.	109 mm
r_a max.	2 mm
Basic dynamic load rating C	280 kN
Basic static load rating C_0	280 kN
Fatigue load limit P_u	30 kN
Calculation factor e	0.35
Calculation factor Y_1	1.9
Calculation factor Y_2	2.9
Calculation factor Y_0	1.8
Mass bearing	2.8 kg