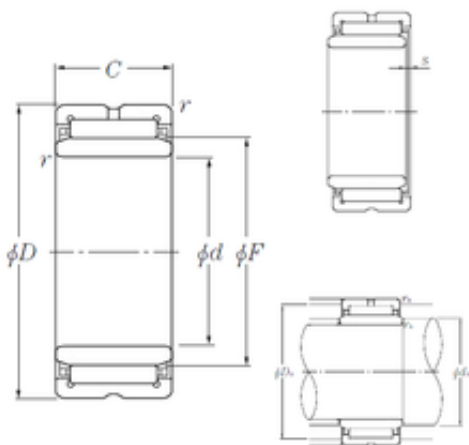




AMERICAN BEARING MFG.CORP.



75 mm x 105 mm x 30 mm NTN NA4915R
needle roller bearings

Bearing No. NA4915R

NA4915R Bearing 2D drawings and 3D CAD models

Size	75x105x30 mm
Bore Diameter	75 mm
Outer Diameter	105 mm
Width	30 mm
d	75 mm
F	85 mm
D	105 mm
B	30 mm
C	30 mm
r min.	1 mm
s	1,5 mm
da min.	80 mm
Da max.	100 mm
ra max.	1 mm
Weight	0,776 Kg
Basic dynamic load rating (C)	87 kN
Basic static load rating (C0)	162 kN
(Grease) Lubrication Speed	3 100 r/min
rs min	1 mm
s max	1.5 mm
Dw	6.5 mm
Lw	23 mm
Lubrication hole on outer ring	Oui/Yes
k	3 mm



AMERICAN BEARING MFG.CORP.

Lubrication hole on inner ring	Non/No
Radial clearance class	CN
Precision class	P0
Mass	0.78 kg
Cr	87 kN
C0r	162 kN
Nlim (grease)	3,100 rpm
Nlim (oil)	4,700 rpm
Min operating temperature, Tmin	-20 ° C
Max operating temperature, Tmax	120 ° C
Characteristic cage frequency, FTF	0.46 Hz
Characteristic rolling element frequency, BSF	14.01 Hz
Characteristic outer ring frequency, BPF0	13.47 Hz
Characteristic inner ring frequency, BPF1	15.53 Hz
da min	80 mm
Da max	100 mm
ras max	1 mm
Category	Bearings
Inventory	0.0
Manufacturer Name	NTN
Minimum Buy Quantity	N/A
Weight / Kilogram	0.815
Product Group	B04144