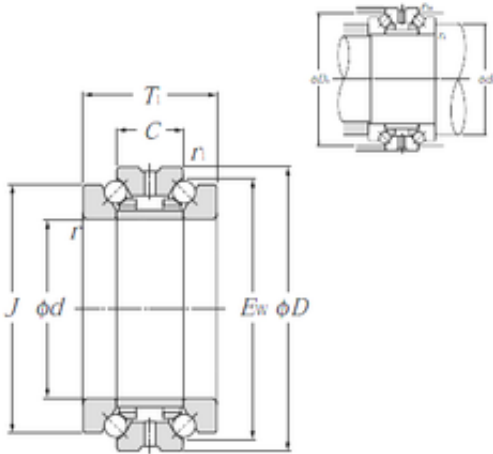




# AMERICAN BEARING MFG.CORP.

## NTN 562934 thrust ball bearings

Bearing No. 562934



562934 Bearing 2D drawings and 3D CAD models

Bore Diameter	170 mm
Outer Diameter	216,5 mm
d	170 mm
D	230 mm
Ew	216,5 mm
T1	72 mm
C	36 mm
ra1 max.	1 mm
r min.	2 mm
r1 min.	1 mm
J	210 mm
da min.	194 mm
Da max.	222 mm
ra max.	2 mm
Weight	7,64 Kg
Basic dynamic load rating (C)	111 kN
Basic static load rating (C0)	450 kN
(Grease) Lubrication Speed	1 700 r/min