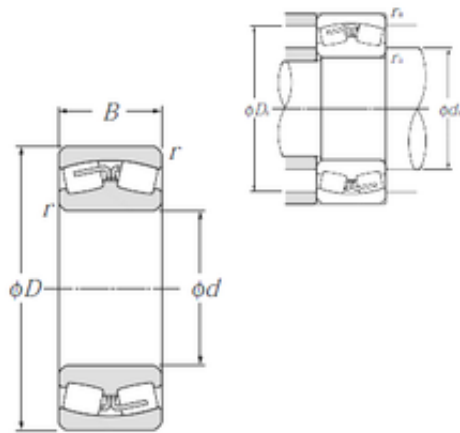




AMERICAN BEARING MFG.CORP.

260 mm x 480 mm x 130 mm NTN 22252B
spherical roller bearings



Bearing No. 22252B

22252B Bearing 2D drawings and 3D CAD models

Size	260x480x130 mm
Bore Diameter	260 mm
Outer Diameter	480 mm
Width	130 mm
d	260 mm
D	480 mm
B	130 mm
C	130 mm
r min.	5 mm
da min.	282 mm
Da max.	458 mm
ra max.	4 mm
Weight	106 Kg
Basic dynamic load rating (C)	2 230 kN
Basic static load rating (C0)	3 600 kN
(Grease) Lubrication Speed	850 r/min
(Oil) Lubrication Speed	1 100 r/min
Calculation factor (e)	0,28
Calculation factor (Y0)	2,39
Calculation factor (Y1)	2,45
Category	Roller Bearings
Inventory	0.0
Manufacturer Name	NTN
Minimum Buy Quantity	N/A
Weight / Kilogram	0



AMERICAN BEARING MFG.CORP.

Product Group	
---------------	--

	B04311
--	--------