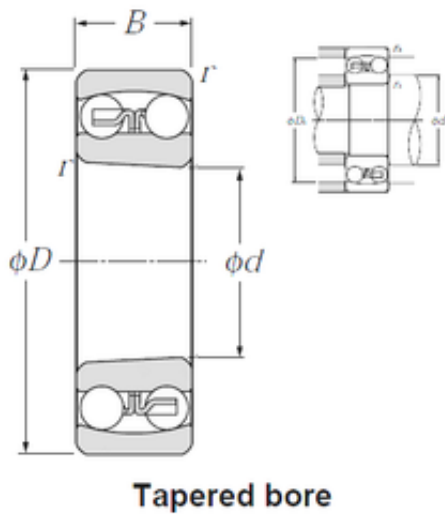




AMERICAN BEARING MFG.CORP.



75 mm x 160 mm x 37 mm NTN 1315SK self aligning ball bearings

Bearing No. 1315SK

1315SK Bearing 2D drawings and 3D CAD models

Size	75x160x37 mm
Bore Diameter	75 mm
Outer Diameter	160 mm
Width	37 mm
d	75 mm
D	160 mm
B	37 mm
C	37 mm
r min.	2,1 mm
da min.	86 mm
Da max.	149 mm
ra max.	2 mm
Weight	3,65 Kg
Basic dynamic load rating (C)	80 kN
Basic static load rating (C0)	30 kN
(Grease) Lubrication Speed	3 800 r/min
(Oil) Lubrication Speed	4 500 r/min
Calculation factor (e)	0,22
Calculation factor (Y0)	2,9
Calculation factor (Y1)	2,8
rs min	2.1 mm
Associated sleeve reference	H315X
e	0.22
Y1	2.8
Y2	4.4



AMERICAN BEARING MFG.CORP.

Y0	2.9
Radial clearance class	CN
Precision class	P0
Mass	3.65 kg
Dynamic load, C	80 kN
Static load, C0	30 kN
Nlim (oil)	4,500 rpm
Nlim (grease)	3,800 rpm
Min operating temperature, Tmin	-20 ° C
Max operating temperature, Tmax	120 ° C
da min	86 mm
da max	97 mm
db min	80 mm
Ce min	5 mm
Da max	149 mm
ra max	2 mm