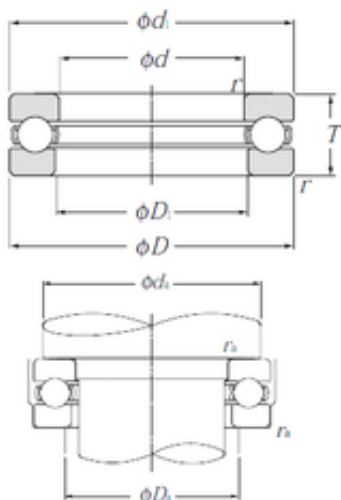




AMERICAN BEARING MFG.CORP.



NTN 51103 thrust ball bearings

Bearing No. 51103

51103 Bearing 2D drawings and 3D CAD models

Size	17x30x9 mm
Bore Diameter	17 mm
Outer Diameter	30 mm
Width	9 mm
d	17 mm
D	30 mm
T	9 mm
d1	30 mm
r min.	0,3 mm
D1	18 mm
da min.	25 mm
Da max.	22 mm
ra max.	0,3 mm
Weight	0,026 Kg
Basic dynamic load rating (C)	10,8 kN
Basic static load rating (C0)	18,2 kN
(Grease) Lubrication Speed	6 000 r/min
Category	Thrust Ball Bearing
Inventory	0.0
Manufacturer Name	NTN
Minimum Buy Quantity	N/A
Weight / Kilogram	0.022
Product Group	B00308
Rolling Element	Ball Bearing
Thrust Bearing	Yes
Single or Double Direction	Single Direction



AMERICAN BEARING MFG.CORP.

Banded	No
Cage Material	Steel
Precision Class	ABEC 1 ISO P0
Component Description	Roller Assembly Plus Raceways
Other Features	Single Row With Flat Seat
Long Description	17MM Bore 1; 18MM Bore 2; 30MM Outside Diameter; 9MM Height; Ball Bearing; Single Direction; Not Banded; Steel Cage; ABEC 1 ISO P0 Precision
Inch - Metric	Metric
Category	Thrust Ball Bearings
UNSPSC	31171552
Harmonized Tariff Code	8482.10.50.08
Noun	Bearing
Keyword String	Ball Thrust
Manufacturer URL	http://www.ntnamerica.com
Manufacturer Item Number	51103
Weight / LBS	0.05732
Bore 2	0.709 Inch 18 Millimeter
Overall Height with Aligning Washer	0 Inch 0 Millimeter
Outside Diameter	1.181 Inch 30 Millimeter
Height	0.354 Inch 9 Millimeter
Bore 1	0.669 Inch 17 Millimeter
bore diameter:	17 mm
dynamic load capacity:	10800 N
outside diameter:	30 mm
operating temperature range:	-40 to 120 ° C
overall width:	9 mm
maximum rpm:	8500 rpm



AMERICAN BEARING MFG.CORP.

thrust bearing type:	Single-Direction
bearing material:	High Carbon Chrome Steel
outside diameter design:	Straight
cage material:	Resin
separable or banded:	Separable
fillet radius:	0.3 mm
precision rating:	ISO Class 0
series:	511
static load capacity:	18200 N
manufacturer product page:	Click here