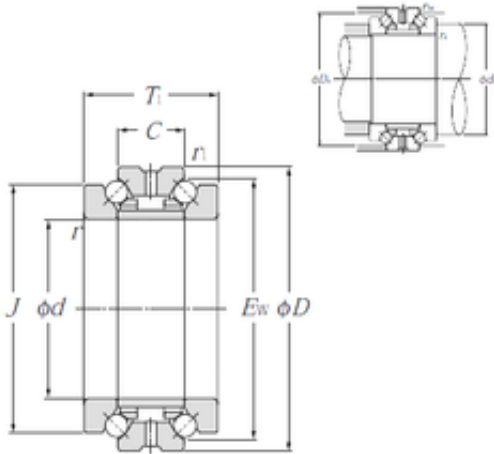




AMERICAN BEARING MFG.CORP.

NTN 562032 thrust ball bearings



Bearing No. 562032

Bore Diameter	160 mm
Outer Diameter	219 mm
d	160 mm
D	240 mm
Ew	219 mm
T1	96 mm
C	48 mm
ra1 max.	1 mm
r min.	2,1 mm
r1 min.	1,1 mm
J	212 mm
da min.	189 mm
Da max.	230 mm
ra max.	2 mm
Weight	13,6 Kg
Basic dynamic load rating (C)	172 kN
Basic static load rating (C0)	620 kN
(Grease) Lubrication Speed	1 700 r/min

562032 Bearing 2D drawings and 3D CAD models