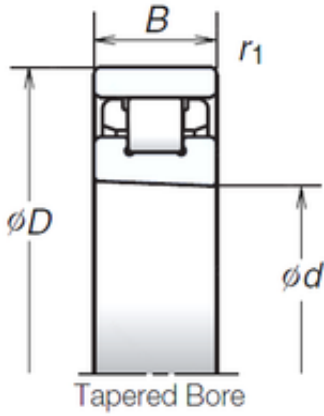




AMERICAN BEARING MFG.CORP.

55 mm x 90 mm x 18 mm NSK N1011RXHTPKR cylindrical roller bearings



Bearing No. N1011RXHTPKR

| | |
|-------------------------------|--------------|
| Size | 55x81x18 mm |
| Bore Diameter | 55 mm |
| Outer Diameter | 81 mm |
| Width | 18 mm |
| d | 55 mm |
| D | 90 mm |
| E | 81 mm |
| B | 18 mm |
| C | 18 mm |
| r min. | 1,1 mm |
| r1 min. | 1 mm |
| Weight | 0,324 Kg |
| Basic dynamic load rating (C) | 35 kN |
| Basic static load rating (C0) | 39,5 kN |
| (Grease) Lubrication Speed | 19 000 r/min |

N1011RXHTPKR Bearing 2D drawings and 3D CAD models