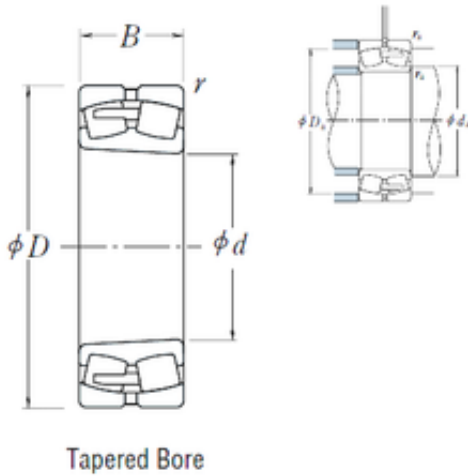




AMERICAN BEARING MFG.CORP.

1250 mm x 1750 mm x 500 mm NSK
240/1250CAK30E4 spherical roller bearings

Bearing No. 240/1250CAK30E4



240/1250CAK30E4 Bearing 2D drawings and 3D CAD models

Size	1250x1750x500 mm
Bore Diameter	1250 mm
Outer Diameter	1750 mm
Width	500 mm
d	1250 mm
D	1750 mm
B	500 mm
C	500 mm
r min.	9,5 mm
da min.	1294 mm
Da min	1579 mm
Da max.	1706 mm
ra max.	8 mm
Weight	3700 Kg
Basic dynamic load rating (C)	21000 kN
Basic static load rating (C0)	59500 kN
(Grease) Lubrication Speed	75 r/min
(Oil) Lubrication Speed	100 r/min
Calculation factor (e)	0,25
Calculation factor (Y0)	2,6
Calculation factor (Y2)	4