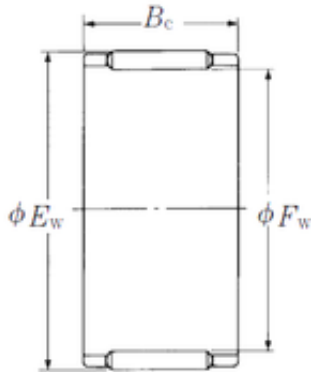




AMERICAN BEARING MFG.CORP.

NSK FBNP-91213 needle roller bearings



Bearing No. FBNP-91213

Bore Diameter	9 mm
Outer Diameter	12 mm
Fw	9 mm
Ew	12 mm
Bc	13 mm
Weight	0,0026 Kg
Basic dynamic load rating (C)	5,1 kN
Basic static load rating (C0)	5,75 kN
(Grease) Lubrication Speed	30000 r/min
(Oil) Lubrication Speed	50000 r/min
hidYobi	FBNP-91213
LangID	1
Prod_Type3	NRB_CNRA_FWF-FWJ
d	9
D_	12
DA_	1.5
Z_	11
C	5.1
B_	13
hidTable	ecat_NSCRA
yobi	FBNP-91213
mass	2.6
GRS rpm	30000
OIL rpm	50000
SDM_	10.5
KBRG	8118

FBNP-91213 Bearing 2D drawings and 3D CAD models



AMERICAN BEARING MFG.CORP.

C0	5.75
SLR	9.8