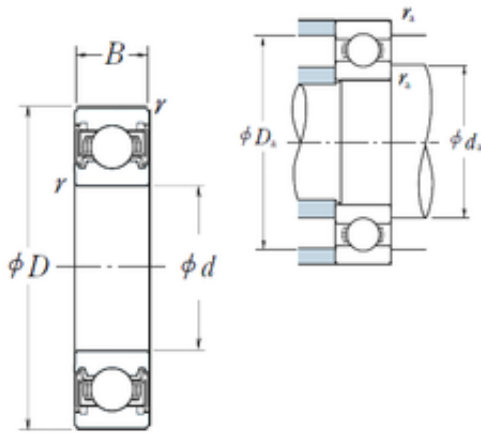




# AMERICAN BEARING MFG.CORP.



80 mm x 110 mm x 16 mm NSK 6916VV deep groove ball bearings

Bearing No. 6916VV

6916VV Bearing 2D drawings and 3D CAD models

Size	80x110x16 mm
Bore Diameter	80 mm
Outer Diameter	110 mm
Width	16 mm
d	80 mm
D	110 mm
B	16 mm
C	16 mm
r min.	1 mm
da min.	85 mm
da max	87,5 mm
Da max.	105 mm
ra max.	1 mm
Weight	0,391 Kg
Basic dynamic load rating (C)	25 kN
Basic static load rating (C0)	24 kN
(Grease) Lubrication Speed	5 600 r/min
Category	Single Row Ball Bearings
Inventory	0.0
Manufacturer Name	NSK
Minimum Buy Quantity	N/A
Weight / Kilogram	0.38
EAN	0029176418372
Product Group	B00308
Enclosure	2 Seals



## AMERICAN BEARING MFG.CORP.

Precision Class	ABEC 1   ISO P0
Maximum Capacity / Filling Slot	No
Rolling Element	Ball Bearing
Snap Ring	No
Internal Special Features	No
Cage Material	Steel
Enclosure Type	Non-Contact Seal
Internal Clearance	C0-Medium
Inch - Metric	Metric
Long Description	80MM Bore; 110MM Outside Diameter; 16MM Outer Race Diameter; 2 Seals; Ball Bearing; ABEC 1   ISO P0; No Filling Slot; No Snap Ring; No Internal Special Features
Category	Single Row Ball Bearing
UNSPSC	31171504
Harmonized Tariff Code	8482.10.50.68
Noun	Bearing
Keyword String	Ball
Manufacturer URL	<a href="http://www.nskamericas.com">http://www.nskamericas.com</a>
Weight / LBS	3.15
Outer Race Width	0.63 Inch   16 Millimeter
Bore	3.15 Inch   80 Millimeter
Outside Diameter	4.331 Inch   110 Millimeter
SRI	4.52
hidYobi	6916VV
LangID	1
D_	110
SREX	0.02
B_	16
da min	85



## AMERICAN BEARING MFG.CORP.

hidTable	ecat_NSRDGB
SRE	4.52
mass	0.391
GRS rpm	5600
ra	1
SRIX	0.02
D_a	105
SRIN	-0.02
C0	24
fo	16.6
SREN	-0.02
DE_	103.731
Prod_Type3	DGBB_SR_VV
DA_	8.731
bomp	0
Z_	19
yobi	6916VV
C_conv	25000
ALPHA_	0
SDM_	95
r	1
KBRG	6151
SBRG	19
DI_	86.269