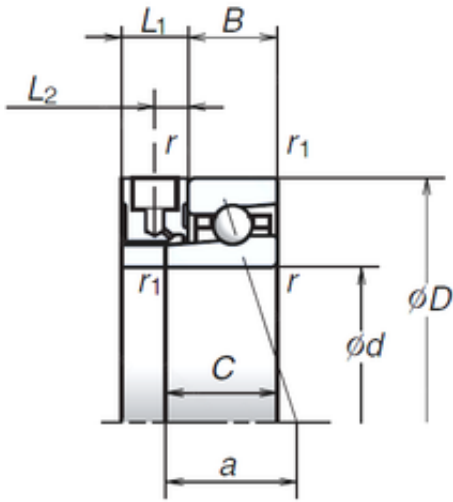




# AMERICAN BEARING MFG.CORP.



65 mm x 100 mm x 18 mm NSK 65BER10XE  
angular contact ball bearings

Bearing No. 65BER10XE

|                               |              |
|-------------------------------|--------------|
| Size                          | 65x100x18 mm |
| Bore Diameter                 | 65 mm        |
| Outer Diameter                | 100 mm       |
| Width                         | 18 mm        |
| d                             | 65 mm        |
| D                             | 100 mm       |
| B                             | 18 mm        |
| C                             | 23 mm        |
| L2                            | 7,5 mm       |
| Angle ( )                     | 25 °         |
| a                             | 33 mm        |
| r min.                        | 1,1 mm       |
| r1 min.                       | 0,6 mm       |
| L1                            | 15 mm        |
| Weight                        | 0,493 Kg     |
| Basic dynamic load rating (C) | 15,5 kN      |
| Basic static load rating (C0) | 14,2 kN      |
| (Grease) Lubrication Speed    | 36 400 r/min |

65BER10XE Bearing 2D drawings and 3D CAD models