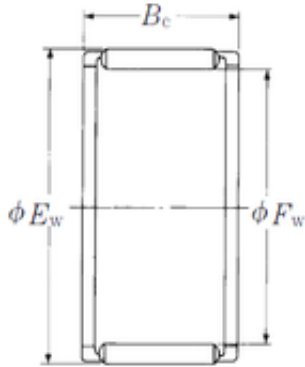




# AMERICAN BEARING MFG.CORP.

## NSK FWF-172317 needle roller bearings



Bearing No. FWF-172317

Bore Diameter	17 mm
Outer Diameter	23 mm
Fw	17 mm
Ew	23 mm
Bc	17 mm
Weight	0,014 Kg
Basic dynamic load rating (C)	15,1 kN
Basic static load rating (C0)	17,8 kN
(Grease) Lubrication Speed	16000 r/min
hidYobi	FWF-172317
LangID	1
Prod_Type3	NRB_CNRA_FWF-FWJ
d	17
D_	23
DA_	3
Z_	13
C	15.1
B_	17
hidTable	ecat_NSCRA
yobi	FWF-172317
mass	14
GRS rpm	16000
OIL rpm	26000
SDM_	20
KBRG	8113
C0	17.8

FWF-172317 Bearing 2D drawings and 3D CAD models



# AMERICAN BEARING MFG.CORP.

SLR	12.8
-----	------