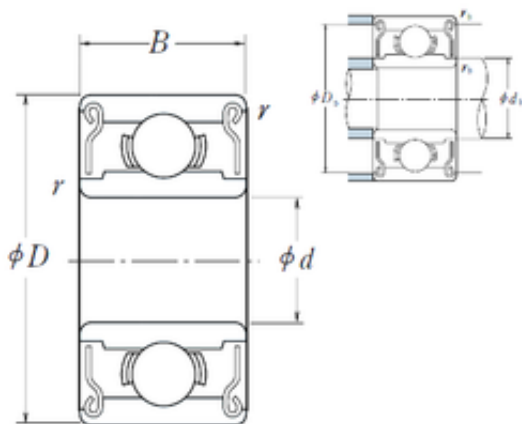




## AMERICAN BEARING MFG.CORP.



2,5 mm x 7 mm x 3,5 mm NSK 692 XZZ deep groove ball bearings

Bearing No. 692 XZZ

Size	2.5x7x3.5 mm
Bore Diameter	2,5 mm
Outer Diameter	7 mm
Width	3,5 mm
d	2,5 mm
D	7 mm
B	3,5 mm
C	3,5 mm
r min.	0,15 mm
db max.	3,8 mm
Db min.	6,2 mm
rb max.	0,15 mm
Weight	0,00055 Kg
Basic dynamic load rating (C)	0,385 kN
Basic static load rating (C0)	0,127 kN

692 XZZ Bearing 2D drawings and 3D CAD models