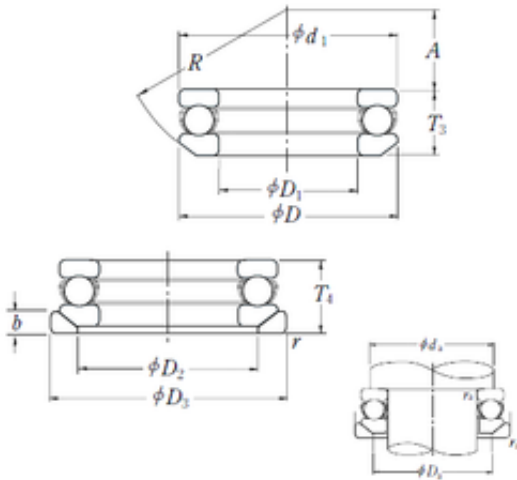




AMERICAN BEARING MFG.CORP.

NSK 53314U thrust ball bearings

Bearing No. 53314U



53314U Bearing 2D drawings and 3D CAD models

Size	70x125x48 mm
Bore Diameter	70 mm
Outer Diameter	125 mm
Width	48 mm
d	70 mm
D	125 mm
T	48 mm
b	13 mm
d1	125 mm
r min.	1,1 mm
A	43 mm
D1	72 mm
D2	98 mm
D3	130 mm
R	100 mm
da min.	103 mm
Da max.	92 mm
ra max.	1 mm
Weight	2,64 Kg
Basic dynamic load rating (C)	137 kN
Basic static load rating (C0)	315 kN
(Grease) Lubrication Speed	1400 r/min
SRI	10.3
hidYobi	53314U
LangID	1
D_	125



AMERICAN BEARING MFG.CORP.

SREX	0.08
C	137
B_	48
hidTable	ecat_NSSDTB
Oil rpm	2000
SRE	10.3
mass	2.64
GRS rpm	1400
ra	1
SRIX	0.08
T4	48
D_3	130
D_a	92
SRIN	0
C0	315
D_2	98
SREN	0
D_1	72
Prod_Type3	TB_SD_WASW
da	103
DA_	19.05
Z_	14
yobi	53314U
A_	43
T3	44.2
SDM_	97.5
r	1.1
KBRG	5131
R_	100