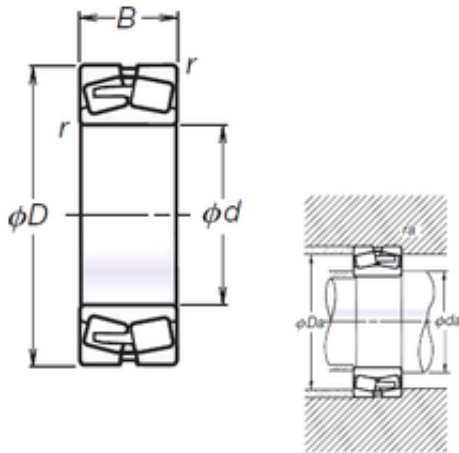




AMERICAN BEARING MFG.CORP.



110 mm x 200 mm x 69,8 mm NSK
TL23222CE4 spherical roller bearings

Bearing No. TL23222CE4

Size	110x200x69.8 mm
Bore Diameter	110 mm
Outer Diameter	200 mm
Width	69,8 mm
d	110 mm
D	200 mm
B	69,8 mm
C	69,8 mm
r min.	2,1 mm
da min.	122 mm
da max	130 mm
Da min	188 mm
Da max.	170 mm
ra max.	2 mm
Weight	9,54 Kg
Basic dynamic load rating (C)	515 kN
Basic static load rating (C0)	760 kN
(Grease) Lubrication Speed	1 500 r/min
(Oil) Lubrication Speed	1 900 r/min
Calculation factor (e)	0,34
Calculation factor (Y0)	1,9
Calculation factor (Y2)	3

TL23222CE4 Bearing 2D drawings and 3D CAD models