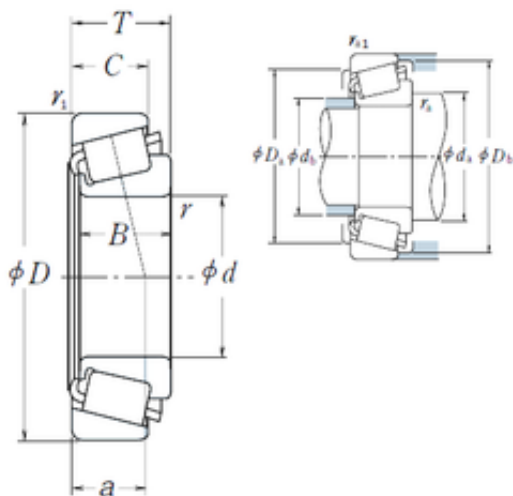




AMERICAN BEARING MFG.CORP.



12 mm x 31,991 mm x 10,785 mm NSK
A2047/A2126 tapered roller bearings

Bearing No. A2047/A2126

A2047/A2126 Bearing 2D drawings and 3D CAD models

Size	12x31.991x10.008 mm
Bore Diameter	12 mm
Outer Diameter	31,991 mm
Width	10,008 mm
d	12 mm
D	31,991 mm
T	10,008 mm
B	10,785 mm
C	7,938 mm
ra1 max.	1,3 mm
a	6,8 mm
r min.	0,8 mm
r1 min.	1,3 mm
Da	26 mm
db	15,5 mm
ra max.	0,8 mm
da	16,5 mm
Db	29 mm
Weight	0,04 Kg
Basic dynamic load rating (C)	10,3 kN
Basic static load rating (C0)	8,9 kN
(Grease) Lubrication Speed	13000 r/min
(Oil) Lubrication Speed	18000 r/min
Calculation factor (e)	0,41
Calculation factor (Y0)	0,81



AMERICAN BEARING MFG.CORP.

LangID	1
ALP23	0
outer r	1.3
ALP22	14
D_	31.991
ALP21	30
SHOG_yobi	A2047R/A2126R
RAr	52.176
inner r	0.8
GRS rpm	13000
D_b	29
D_a	26
DE_	25.708
SLR	7
Prod_Type3	TRBSR_ID_A
BETA_	2
ALPHA_	15.117
SDM_	21.264
DA1	4.551
DA2	3.945
hidYobi	A2047/A2126
Y1	1.5
B_	10.785
Oil rpm	18000
hidTable	ecat_NSTPRI
Y0	0.81
inner ra	0.8
outer rb	1.3
C0	8.9
CUP	0.017
e	0.41
DA_	4.25



AMERICAN BEARING MFG.CORP.

BET21	5
BET22	0
BET23	0
Z_	10
C_	7.938
yobi	A2047/A2126
KBRG	3171
CONE	0.023
DI_	17.072