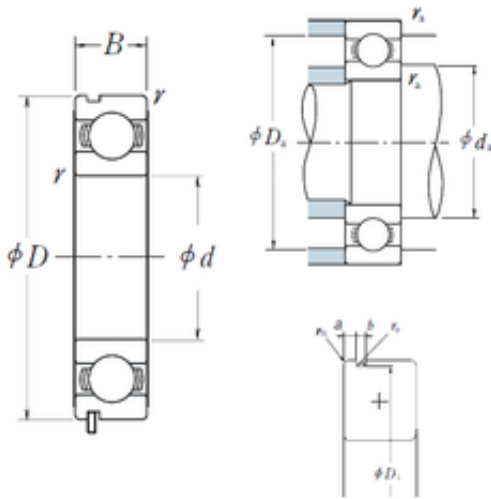




AMERICAN BEARING MFG.CORP.

12 mm x 24 mm x 6 mm NSK 6901N deep groove ball bearings



Bearing No. 6901N

Size	12x24x6 mm
Bore Diameter	12 mm
Outer Diameter	24 mm
Width	6 mm
d	12 mm
D	24 mm
B	6 mm
C	6 mm
rn	0,2 mm
a	1,05 mm
b	0,8 mm
r min.	0,3 mm
r0 max.	0,2 mm
D1	22,8 mm
da min.	14 mm
da max	14,5 mm
Da max.	22 mm
ra max.	0,3 mm
Weight	0,01 Kg
Basic dynamic load rating (C)	2,89 kN
Basic static load rating (C0)	1,46 kN
(Grease) Lubrication Speed	30 000 r/min
(Oil) Lubrication Speed	36 000 r/min
SRI	1.64
hidYobi	6901N

6901N Bearing 2D drawings and 3D CAD models



AMERICAN BEARING MFG.CORP.

LangID	1
ro	0.2
D_	24
SREX	0.015
B_	6
da min	14
hidTable	ecat_NSRDGB
Oil rpm	36000
SRE	1.64
mass	0.01
GRS rpm	30000
ra	0.3
SRIX	0.015
D_a	22
SRIN	-0.015
C0	1.46
fo	14.5
SREN	-0.015
DE_	21.175
Prod_Type3	DGBB_SR_N_OT
DA_	3.175
bomp	0
Z_	10
yobi	6901N
C_conv	2890
ALPHA_	0
SDM_	18
r	0.3
KBRG	6101
SBRG	19
DI_	14.825