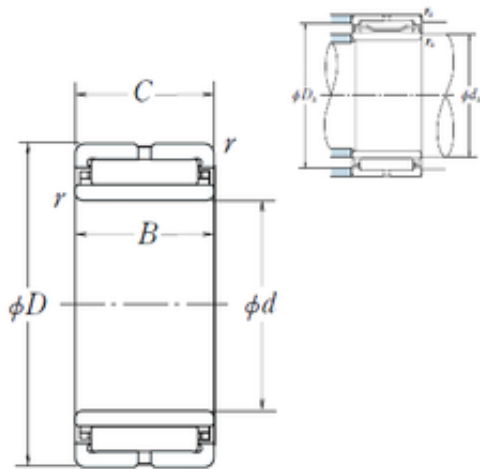




AMERICAN BEARING MFG.CORP.

50 mm x 72 mm x 22 mm NSK NA4910 needle roller bearings



Bearing No. NA4910

NA4910 Bearing 2D drawings and 3D CAD models

Size	50x72x22 mm
Bore Diameter	50 mm
Outer Diameter	72 mm
Width	22 mm
d	50 mm
Fw	58 mm
D	72 mm
B	22 mm
C	22 mm
r min.	0,6 mm
da min.	54 mm
Da max.	68 mm
ra max.	0,6 mm
Weight	0,295 Kg
Basic dynamic load rating (C)	42,5 kN
Basic static load rating (C0)	73,5 kN
(Grease) Lubrication Speed	4500 r/min
hidYobi	NA4910
LangID	1
D_	72
B_	22
hidTable	ecat_NSMRNR
GRS rpm	4500
ra	0.6
da_min	54



AMERICAN BEARING MFG.CORP.

d2	50
C0	73.5
C1_	22
DE_	67
SLR	15.8
Prod_Type3	NRB_S_NA
DA_	4.5
Z_	27
SI	58
yobi	NA4910
da_max	68
OIL rpm	7100
SDM_	62.5
r	0.6
KBRG	8353
mass2	0.295
B1	22