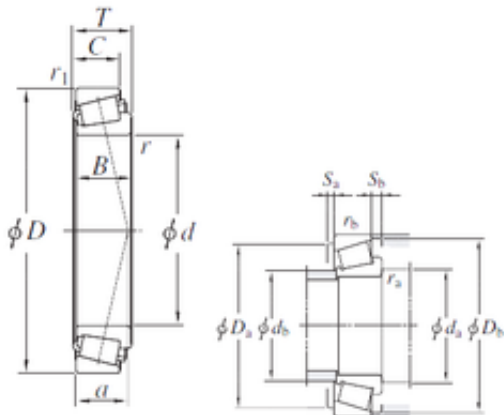




# AMERICAN BEARING MFG.CORP.

101,6 mm x 212,725 mm x 66,675 mm KOYO  
941/932 tapered roller bearings

Bearing No. 941/932



941/932 Bearing 2D drawings and 3D CAD models

Size	101.6x212.725x66.675 mm
Bore Diameter	101,6 mm
Outer Diameter	212,725 mm
Width	66,675 mm
d	101,6 mm
D	212,725 mm
T	66,675 mm
B	66,675 mm
C	53,975 mm
a	47,6 mm
r min.	7,1 mm
r1 min.	3,2 mm
r2 min.	3,2 mm
da min.	121 mm
Da min	181 mm
Da max.	201 mm
Da	187 mm
db max.	135 mm
db min	117 mm
ra max.	7,1 mm
rb max.	3,2 mm
Db	192 mm
Weight	11,1 Kg
Basic dynamic load rating (C)	450 kN
Basic static load rating (C0)	674 kN



## AMERICAN BEARING MFG.CORP.

(Grease) Lubrication Speed	1800 r/min
(Oil) Lubrication Speed	2400 r/min
Calculation factor (e)	0,33
Calculation factor (Y0)	1,01
Bearing No.	941/932
r(min)	7.1
r1(min)	3.2
Cr	563
C0r	674
Cu	84.1
Grease lub.	1800
Oil lub.	2400
a	47.6 mm
da	121.0
db	135.0
ra(max)	7.1
rb(max)	3.2
e	0.33
Y1	1.84
Y0	1.01
(Refer.) Mass(kg)	11.1