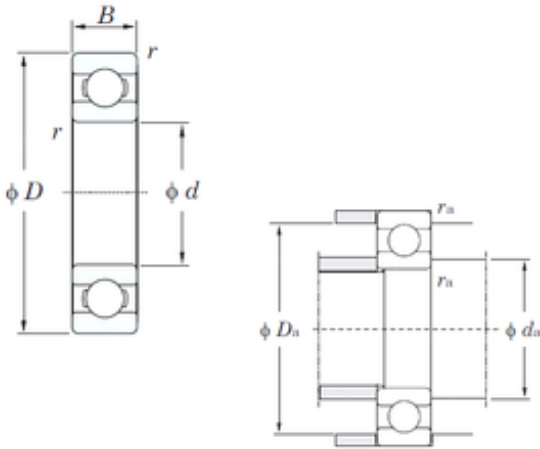




# AMERICAN BEARING MFG.CORP.

## 75 mm x 95 mm x 10 mm KOYO 6815 deep groove ball bearings

Bearing No. 6815



6815 Bearing 2D drawings and 3D CAD models

Size	75x95x10 mm
Bore Diameter	75 mm
Outer Diameter	95 mm
Width	10 mm
d	75 mm
D	95 mm
B	10 mm
C	10 mm
r min.	0,6 mm
da min.	79 mm
Da max.	91 mm
ra max.	0,6 mm
Weight	0,142 Kg
Basic dynamic load rating (C)	12,5 kN
Basic static load rating (C0)	12,9 kN
(Grease) Lubrication Speed	6400 r/min
(Oil) Lubrication Speed	7600 r/min
Category	Single Row Ball Bearings
Inventory	0.0
Manufacturer Name	KOYO
Minimum Buy Quantity	N/A
Weight / Kilogram	0.153
EAN	0060579008456
Product Group	B00308
Enclosure	Open



## AMERICAN BEARING MFG.CORP.

Precision Class	ABEC 1   ISO P0
Maximum Capacity / Filling Slot	No
Rolling Element	Ball Bearing
Snap Ring	No
Internal Special Features	No
Cage Material	Steel
Internal Clearance	C0-Medium
Inch - Metric	Metric
Long Description	75MM Bore; 95MM Outside Diameter; 10MM Outer Race Diameter; Open; Ball Bearing; ABEC 1   ISO P0; No Filling Slot; No Snap Ring; No Internal Special Features
Category	Single Row Ball Bearing
UNSPSC	31171504
Harmonized Tariff Code	8482.10.50.68
Noun	Bearing
Keyword String	Ball
Manufacturer URL	<a href="http://www.koyousa.com">http://www.koyousa.com</a>
Manufacturer Item Number	6815
Weight / LBS	0.338
Outside Diameter	3.74 Inch   95 Millimeter
Outer Race Width	0.394 Inch   10 Millimeter
Bore	2.953 Inch   75 Millimeter
Bearing No.	6815
r(min)	0.6
Cr	15.7
C0r	12.9
Cu	0.660
f0	16.0
Grease lub.	6400



## AMERICAN BEARING MFG.CORP.

Oil lub.	7600
da(min)	79
Da(max)	91
ra(max)	0.6
(Refer.)Mass(kg)	0.142