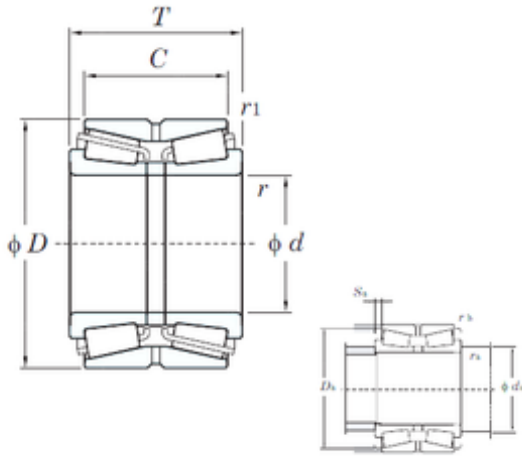




AMERICAN BEARING MFG.CORP.

KOYO 46T30330JR/120 tapered roller bearings



Bearing No. 46T30330JR/120

46T30330JR/120 Bearing 2D drawings and 3D CAD models

Size	150x320x154 mm
Bore Diameter	150 mm
Outer Diameter	320 mm
Width	154 mm
d	150 mm
D	320 mm
T	154 mm
C	120 mm
r min.	4 mm
r1 min.	1,5 mm
da min.	172 mm
Da min	292 mm
ra max.	4 mm
rb max.	1,5 mm
Weight	56 Kg
Basic dynamic load rating (C)	1430 kN
Basic static load rating (C0)	2160 kN
(Grease) Lubrication Speed	930 r/min
(Oil) Lubrication Speed	1200 r/min
Calculation factor (e)	0,35
Calculation factor (Y0)	1,91
Bearing No.	46T30330JR/120
r(min)	4
r1(min)	1.5
Cr	1800
C0r	2160



AMERICAN BEARING MFG.CORP.

Cu	129
Grease lub.	930
Oil lub.	1200
da(min)	172
Da(min)	311.5
Sa(min)	17
ra(max)	4
rb(max)	1.5
e	0.35
Y2	1.96
Y3	2.91
Y0	1.91
(Refer.)Mass(kg)	56