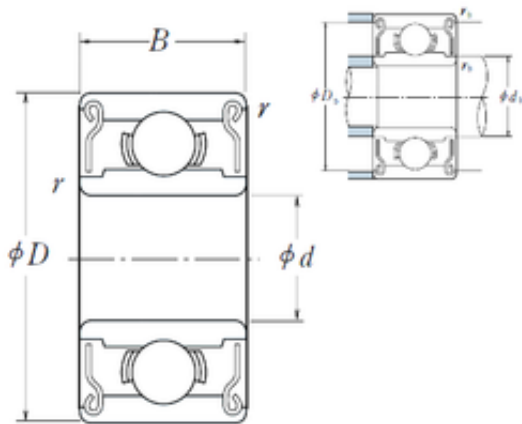




AMERICAN BEARING MFG.CORP.



4 mm x 8 mm x 3 mm ISO MR84ZZ deep groove ball bearings

Bearing No. MR84ZZ

Size	4x8x3 mm
Bore Diameter	4 mm
Outer Diameter	8 mm
Width	3 mm
d	4 mm
D	8 mm
B	3 mm
C	3 mm
r min.	0,1 mm

MR84ZZ Bearing 2D drawings and 3D CAD models