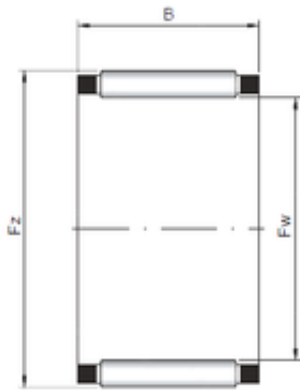




AMERICAN BEARING MFG.CORP.

ISO K16x20x20 needle roller bearings



Bearing No. K16x20x20

Size	16x20x20 mm
Bore Diameter	16 mm
Outer Diameter	20 mm
Width	20 mm
Fw	16 mm
Ew	20 mm
B	20 mm

K16x20x20 Bearing 2D drawings and 3D CAD models