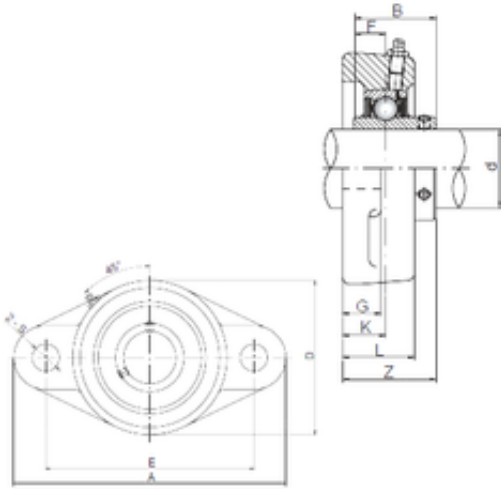




# AMERICAN BEARING MFG.CORP.

65 mm x 155 mm x 65,1 mm ISO UCFL213  
bearing units

Bearing No. UCFL213



Bore Diameter	65 mm
d	65 mm
B	65,1 mm
Z	69,7 mm
A	258 mm
D	155 mm
E	210 mm
F	25,4 mm
G	22 mm
K	30 mm
L	50 mm
S	23 mm
Bolt (G)	M20

UCFL213 Bearing 2D drawings and 3D CAD models