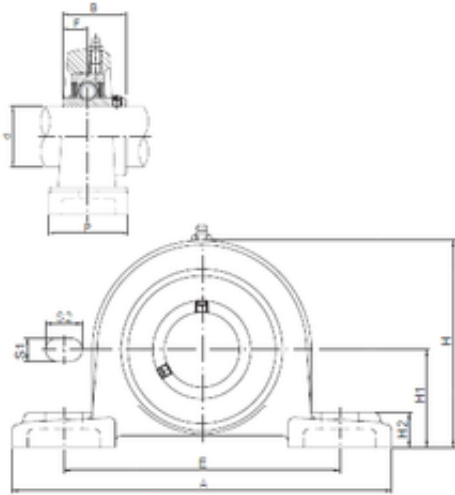




AMERICAN BEARING MFG.CORP.

ISO UCP310 bearing units

Bearing No. UCP310



UCP310 Bearing 2D drawings and 3D CAD models

Bore Diameter	50 mm
d	50 mm
S1	20 mm
P	75 mm
A	275 mm
B	61 mm
E	212 mm
F	22 mm
H	143 mm
H1	75 mm
H2	27 mm
S2	35 mm
Bolt (G)	M16