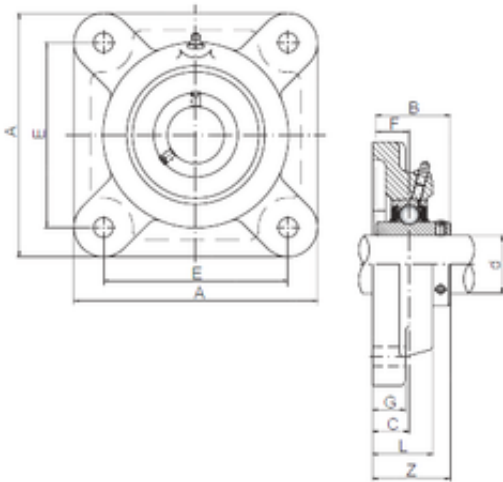




AMERICAN BEARING MFG.CORP.



ISO UCF217 bearing units

Bearing No. UCF217

| | |
|---------------|---------|
| Bore Diameter | 85 mm |
| Width | 85,7 mm |
| d | 85 mm |
| Z | 87,6 mm |
| A | 220 mm |
| B | 85,7 mm |
| C | 36 mm |
| E | 175 mm |
| F | 34,1 mm |
| G | 24 mm |
| L | 63 mm |
| S | 23 mm |
| Bolt (G) | M20 |

UCF217 Bearing 2D drawings and 3D CAD models